

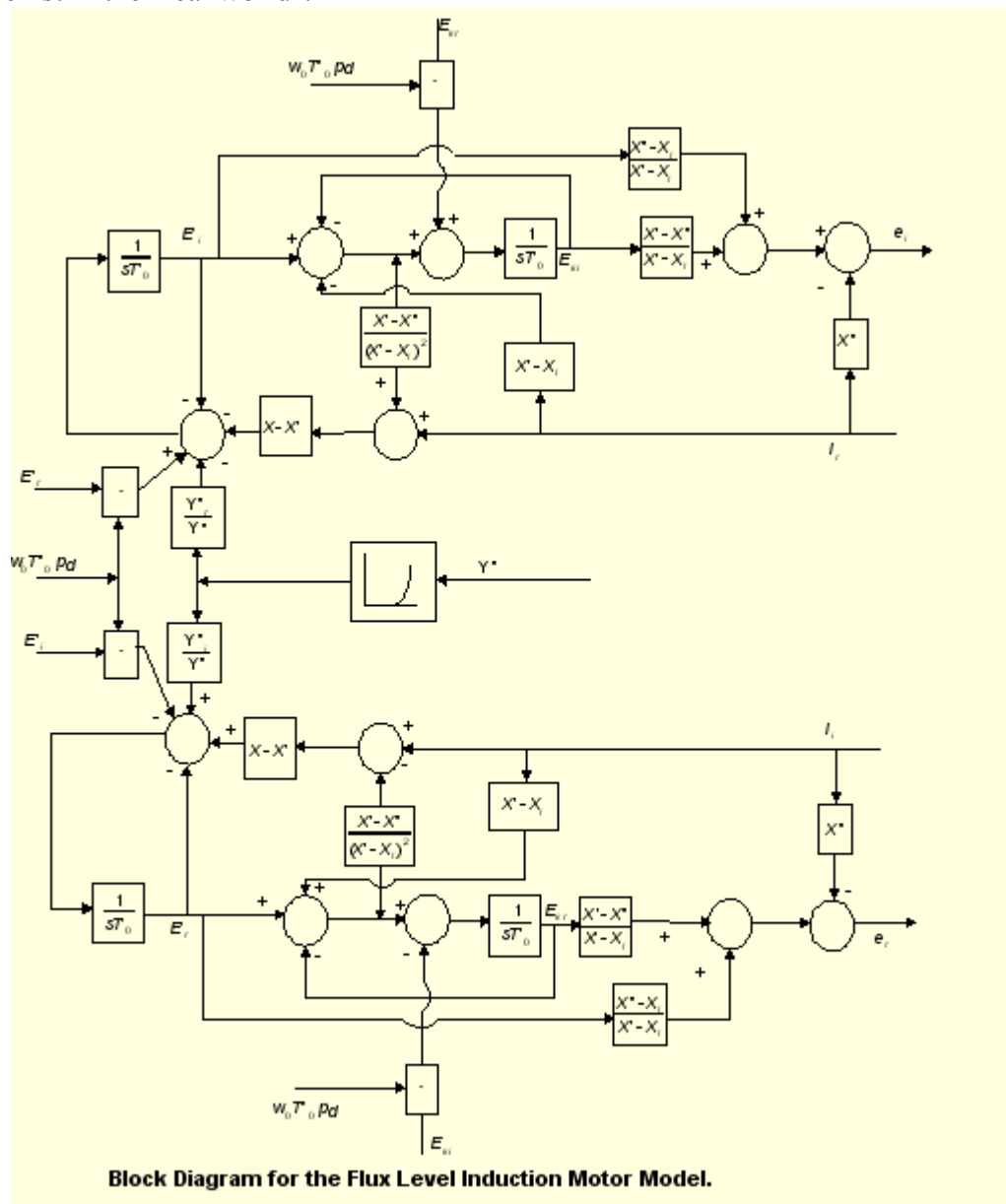
# Induction Motor Models

The I\*SIM induction motor has two different types:

1. The flux level model
2. The algebraic model

## The Flux Level Model

In the flux level model, the internal electro-magnetic flux transient is fully represented, to the same level as the way in which its synchronous counterparts are modelled (P.M. Anderson and A.A. Fouad, p.I-11). This, most accurate, representation of the induction motor treats each induction motor as a rotating machine, which, of course, is how they exist in the "real world".



**The Algebraic Model**

In the algebraic model, the internal electro-magnetic flux transient is ignored. The model is often referred to as the “steady-state algebraic model”.

